

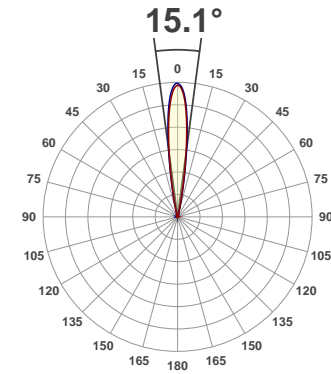
Light efficiency:



Light quality:



Color temperature:



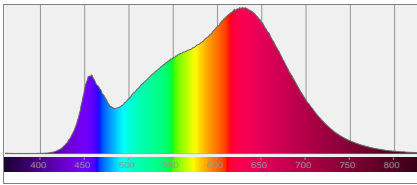
Product name:
DTW Blinder 700 IP

Test:
W/ Fresnel WW

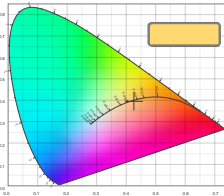
Date:
5/9/2017

Output: 7614 lm Power consumption: 358 W Peak: 70159 cd

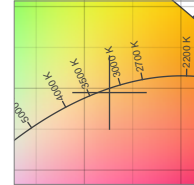
Spectral distribution



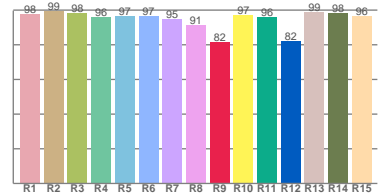
Color coordinates



Zoom color point

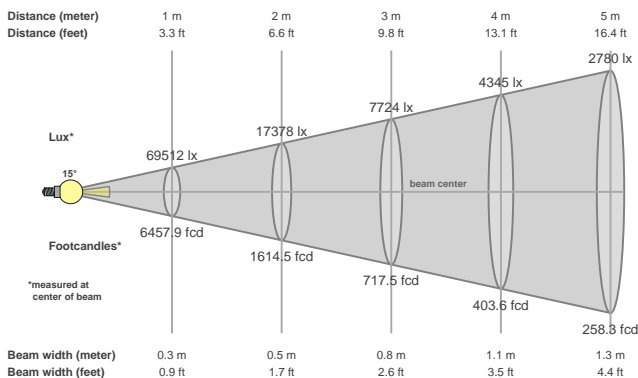


CRI R values



Color temperature	Color rendering index	Red component	Color fidelity	Color gamut	Color quality scale	Color coordinate cie 1931	Color coordinate cie 1931	Color coordinate	Color coordinate	Color divition from black body
CCT	CRI	CRI R9	TM30 Rf	TM30 Rg	CQS	x	y	u	v	Δuv
3119 K	96.4	81.6	91.6	99.3	93.1	0.426	0.395	0.247	0.344	0.0022

Beam details



Beam angles

Beam angle 50%	Field angle 10%	Cutoff angle 2,5%
15.1°	24.9°	37.4°

Beam intensities

Peak intensity	Int. ratio in 120° cone	Int. ratio in 90° cone
70159 cd	0.9%	0.8%

Power

Power	Power factor	Power frequency
358 W	1.0	0 Hz

Nominal voltage	Voltage	Current
230 V	117 V	3.06 A

Beam intensities from 1-20m

1m	2m	3m	4m	5m	6m	7m	8m	9m	10m	11m	12m	13m	14m	15m	16m	17m	18m	19m	20m
3.3ft	6.6ft	9.8ft	13.1ft	16.4ft	19.7ft	23ft	26.2ft	29.5ft	32.8ft	36.1ft	39.4ft	42.7ft	45.9ft	49.2ft	52.5ft	55.8ft	59.1ft	62.3ft	65.6ft
69512lx	17378lx	7724lx	4345lx	2780lx	1931lx	1419lx	1086lx	858lx	695lx	574lx	483lx	411lx	355lx	309lx	272lx	241lx	215lx	193lx	174lx
6457.9fcd	1614.5fcd	717.5fcd	403.6fcd	258.3fcd	179.4fcd	131.8fcd	100.9fcd	79.7fcd	64.6fcd	53.4fcd	44.8fcd	38.2fcd	32.9fcd	28.7fcd	25.2fcd	22.3fcd	19.9fcd	17.9fcd	16.1fcd